



# GENERATOR MONITORING UNIT

Counter & LED Display | Pulse Output

GENERATOR MONITORING DEVICE WITH DUAL DISPLAY!



## Features :

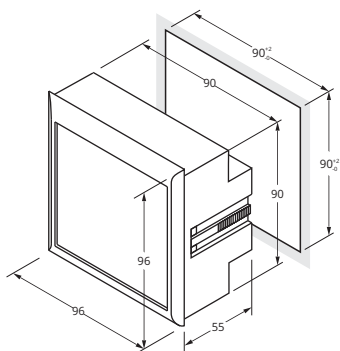
- Dual display: kWh 6½ Digits counter, VAF 4 Digits LED (GD 3110) - Reduces the need of multiple meters.
- Simultaneous display of kWh and V or A or Hz.
- Displays kWh and VLL, VLN, A (Average and Phasewise), Hz.
- CT, PT settings through front panel keys. No DIP switch settings hassles (One common CT, PT settings for all parameters)
- Programmable for Single phase and Three phase applications.
- Forward kWh integration even with incorrect CT polarities connections (Reverse lock option).
- Optional 50A, 100A or 200A hanging CT (ID is 25 mm).
- Reduces cost and simplifies panel wiring.
- Suitable for Generator applications.

## Ordering Information:

- Accuracy Class 1.0
- Accuracy Class 0.5 (Optional)
- Pulse Output (Optional)
- Tamper Proof (Optional)



## Mechanical Specification



## Multiplication factor for counter based energy mode

|  |                    |                    |                     |                       |                  |                     |                     |
|--|--------------------|--------------------|---------------------|-----------------------|------------------|---------------------|---------------------|
| Full Scale in Watts :<br>$\sqrt{3} \times V_{Pri} \times A_{Pri} / 1000$ | 0.1k<br>to<br>1.0k | 1.01k<br>to<br>10k | 10.1k<br>to<br>100k | 100.1k<br>to<br>1000k | 1M<br>to<br>10 M | 10 M<br>to<br>100 M | 100M<br>to<br>1000M |
| Multiplication Factor:   | 0.01               | 0.1                | 1.0                 | 10                    | 100              | 1000                | 10000               |
| Unit of display  | kWh                |                    |                     | MWh                   |                  | GWh                 |                     |

## Technical Specification:

| Specification                  | Description   |
|--------------------------------|---|
| Accuracy:                      | Class 1 (Default) as per IEC 62053-21. Class 05 (Optional)  |
| Sensing/<br>Measurement:       | True RMS, 1 Sec update time for VAF. 4 Quadrant with forward kWh accumulation.  |
| Input Voltage:                 | 4 Voltage inputs (V <sub>1</sub> V <sub>2</sub> V <sub>3</sub> V <sub>N</sub> ). Programmable 110 or 415V LL. Nominal (Range 80 to 550V LL). Primary Programmable up to 999 kV. Burden: 0.2VA Max. per phase.           |
| Input Frequency:               | 45 - 65 Hz  |
| Input Current:                 | Current inputs (A <sub>1</sub> A <sub>2</sub> A <sub>3</sub> ) 50mA - 6A (Field configurable 1A or 5A) Primary programmable up to 99 kA. Overload: 10A max continuous, 50A max for 3 Sec. Burden: 0.2VA Max. per phase. |
| Aux-Supply<br>(control power): | 80 - 300V AC/DC. Burden: 4VA.   |
| Display type:                  | 10mm height bright red LED display.   |
| Display resolution:            | Stepper counter 6½ Digits for kWh, 10mm height bright red LED display for VAF.  |
| CT Ratio:                      | 2000 MVA programmable.  |
| Weight:                        | Unpacked: 300 gms, Packed: 400 gms  |
| Torque                         | 1 N-m   |
| Wire gauge                     | 11 AWG  |